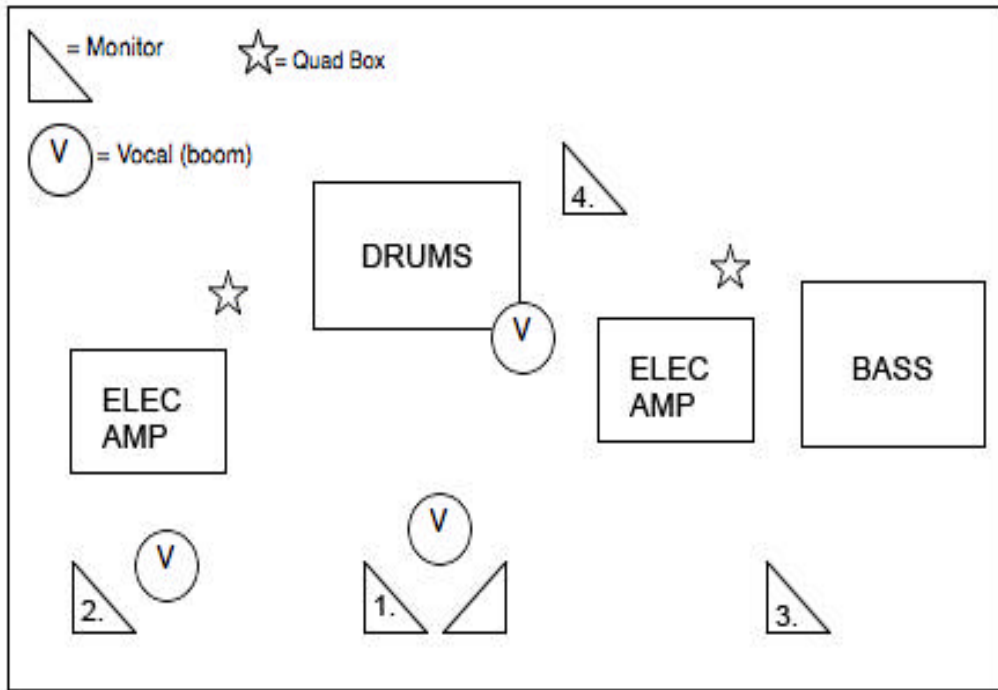


Hollis Brown Input List



CH	Name	Device	Stand
1	Kick	Beta 52	Short
2	Snare	SM 57	Short Boom
3	Fl. Tom	e604 or Beta 98	Clip
4	Rack Tom	e604 or Beta 98	Clip
5	Hat	sm 81	Short Boom
6	OH L	sm 81	Tall Boom
7	OH R	sm 81	Tall Boom
8	Bass DI	countryman	n/a
9	Bass mic	senn 421	short
10	Guitar 1	sm 57	Short
11	Guitar 2	sm 57	Short
12	Lead Vocal	sm 58	Tall Boom
13	BG Voc 1	sm 58	Tall Boom
14	BG Voc 2	sm 58	Tall Boom

Monitors		
Aux 1	Lead Vox/Guit (Mont)	2 x wedge
Aux 2	Guitar/BGV (Bonilla)	1 x wedge
Aux 3	Bass (Wosczyk)	1 x wedge
Aux 4	Drums/BGV (Graves)	1 x wedge

PRODUCTION MANAGER NAME: Albert Barabas

phone: 216-570-8866

email: albert@hollisbrown.com